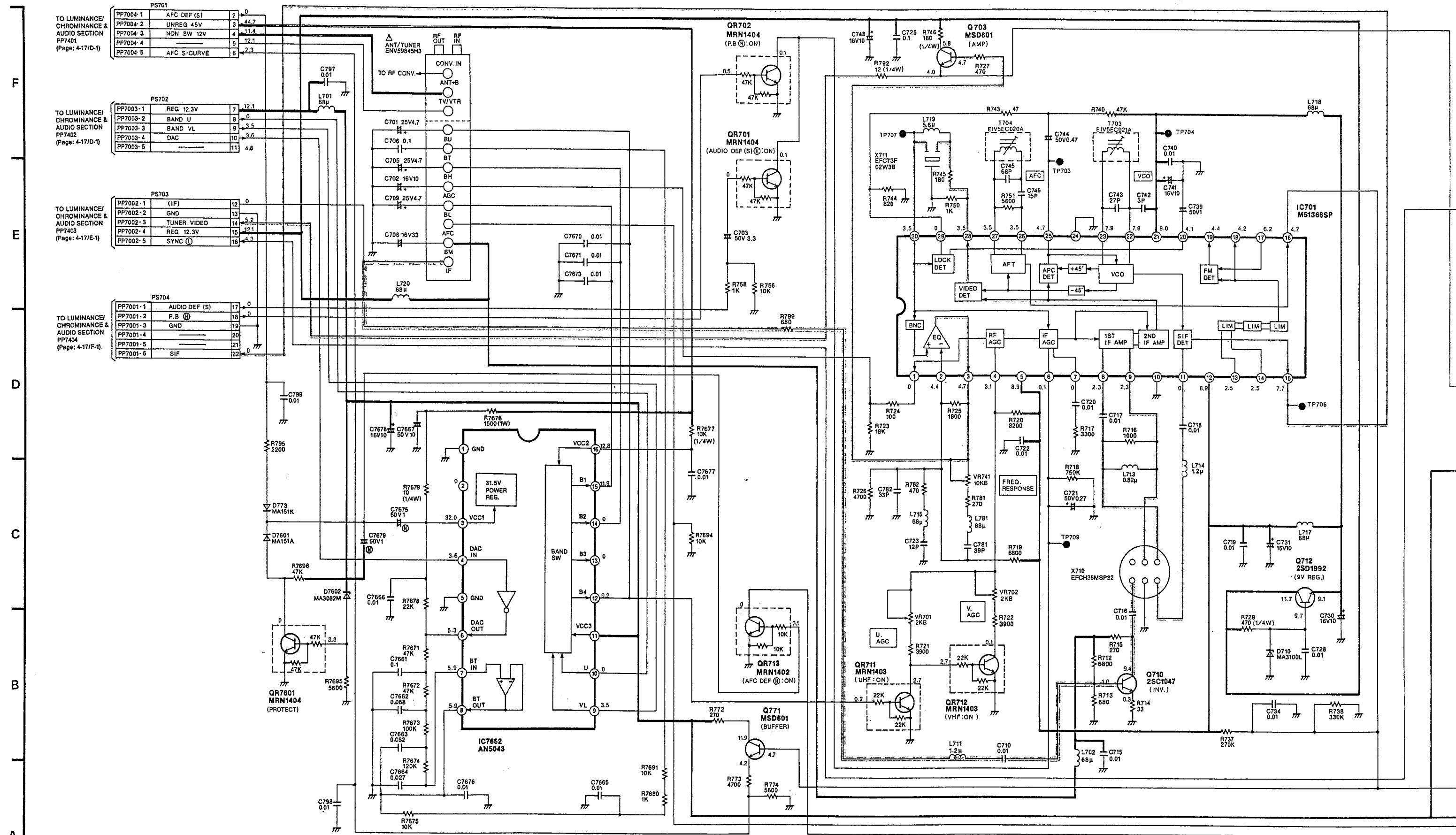


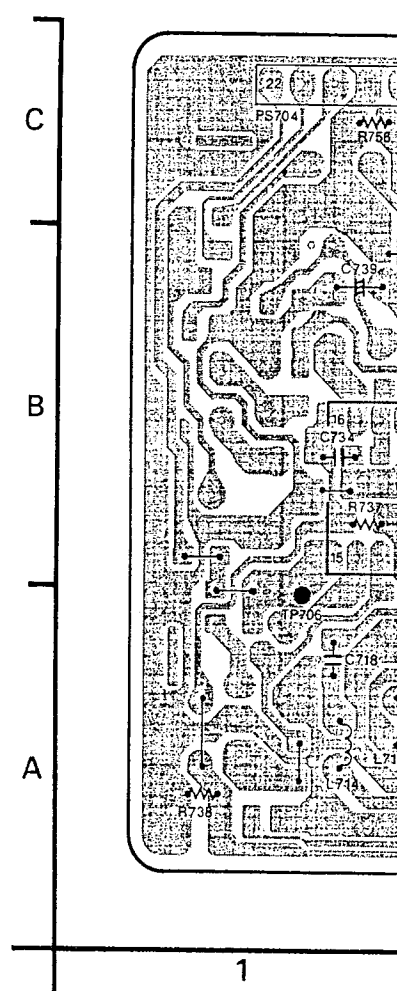
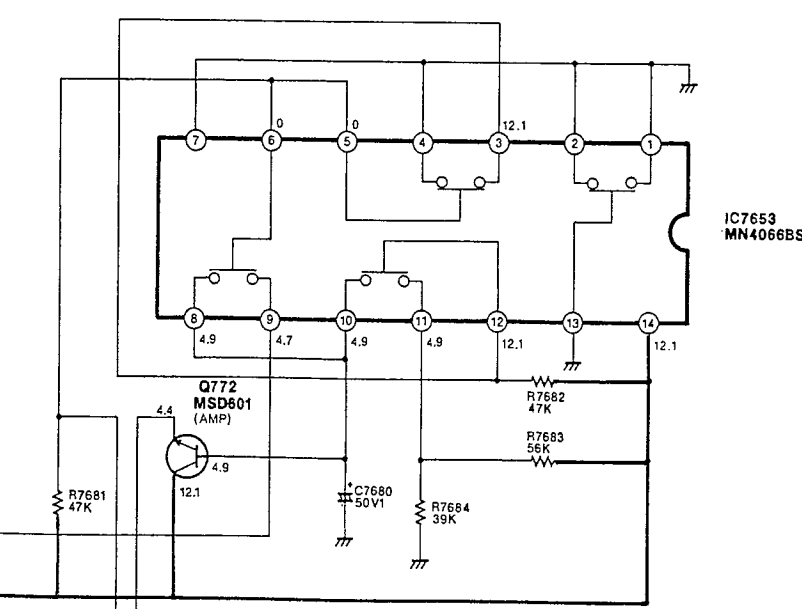
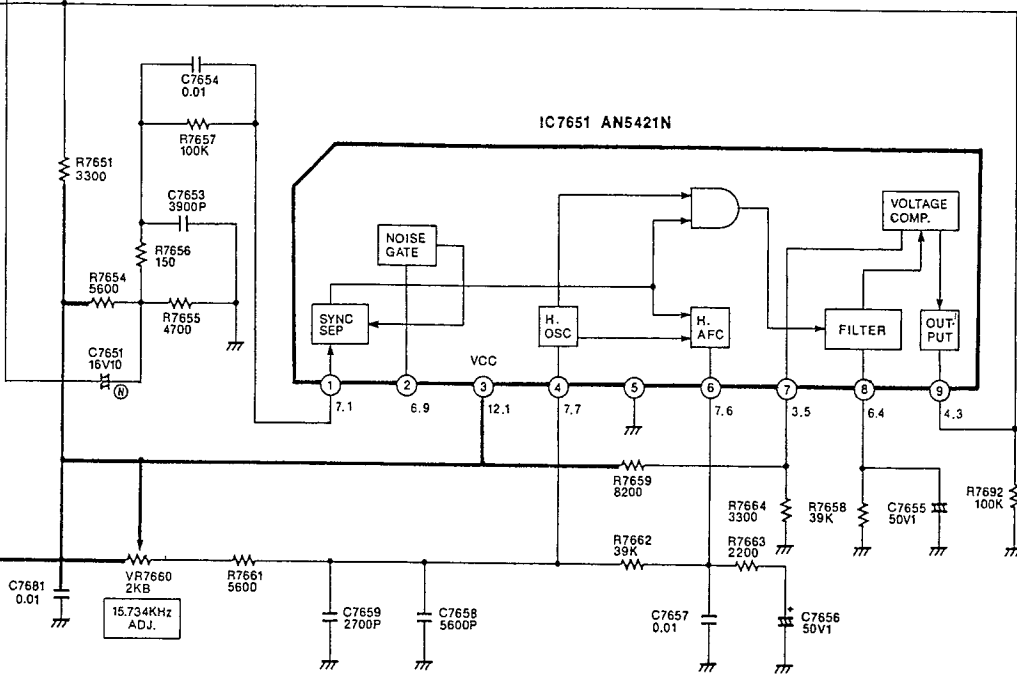
4-25. TV DEMODULATOR PACK SCHEMATIC DIAGRAM (NV-HD90EE)



IMPORTANT SAFETY NOTICE: COMPONENTS IDENTIFIED WITH THE MARK Δ HAVE THE SPECIAL CHARACTERISTICS FOR SAFETY. WHEN REPLACING ANY OF THESE COMPONENTS, USE ONLY THE SAME TYPE. NOTE: THE MEASUREMENT MODE OF THE DC VOLTAGE OF

VIDEO SIGNAL PATH

AUDIO SIGNAL PATH



NOTE: THIS DIAGRAM IS STOP MODE.

NOTE: DO NOT USE ANY PART NUMBER SHOWN ON THIS SCHEMATIC DIAGRAM FOR ORDERING. WHEN YOU ORDER A PART, PLEASE REFER TO PARTS LIST.

11 12 13